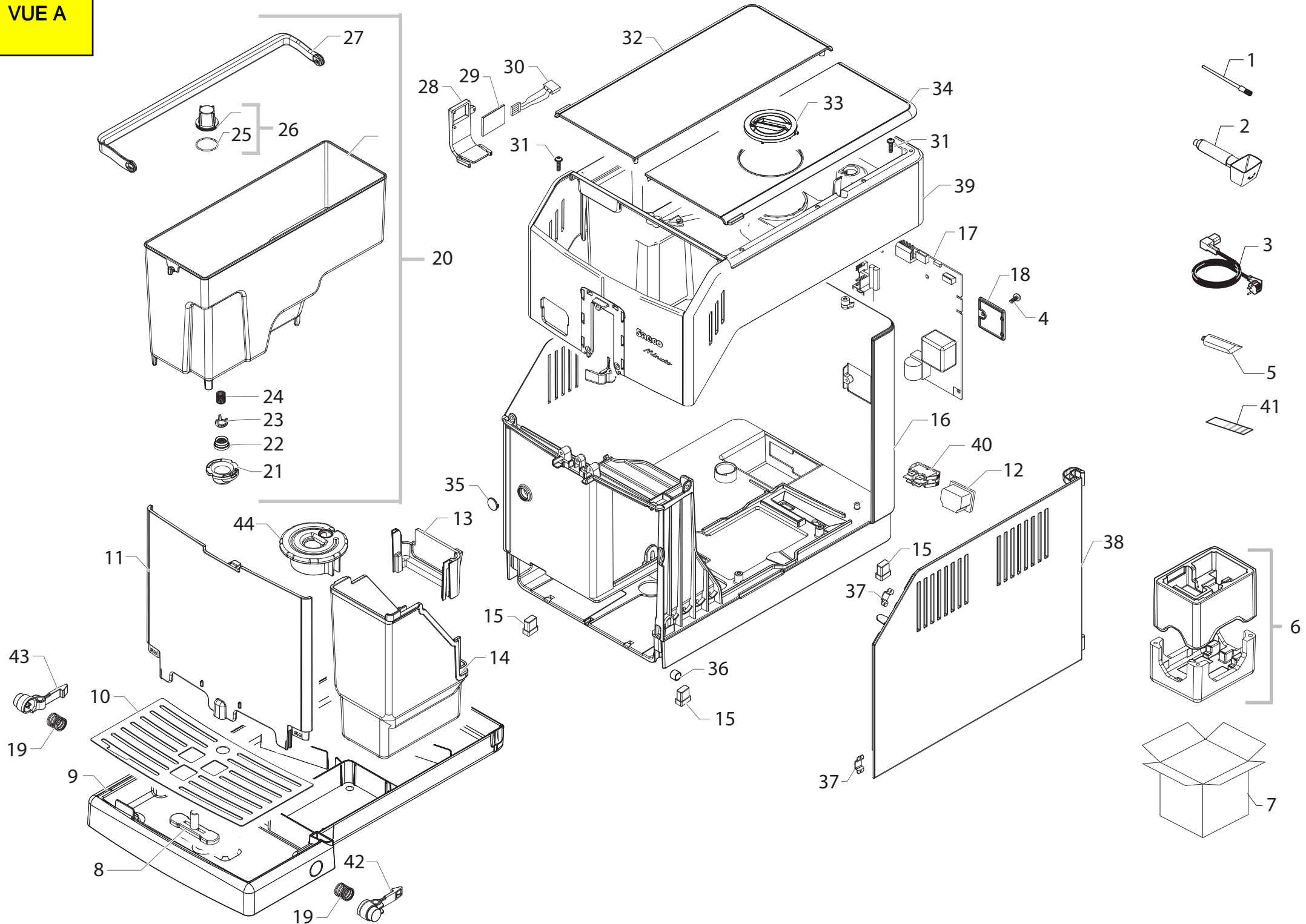
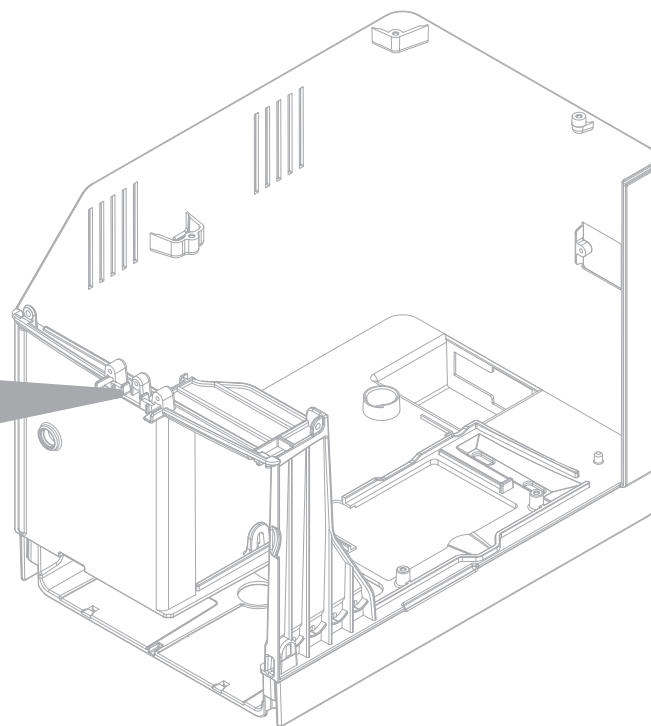
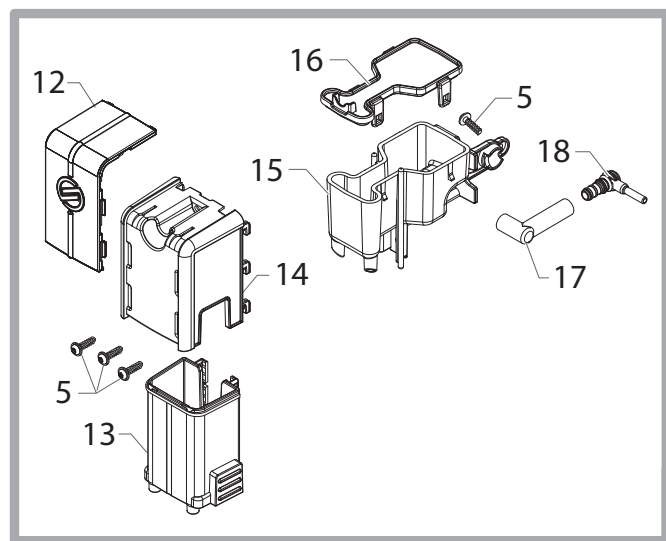
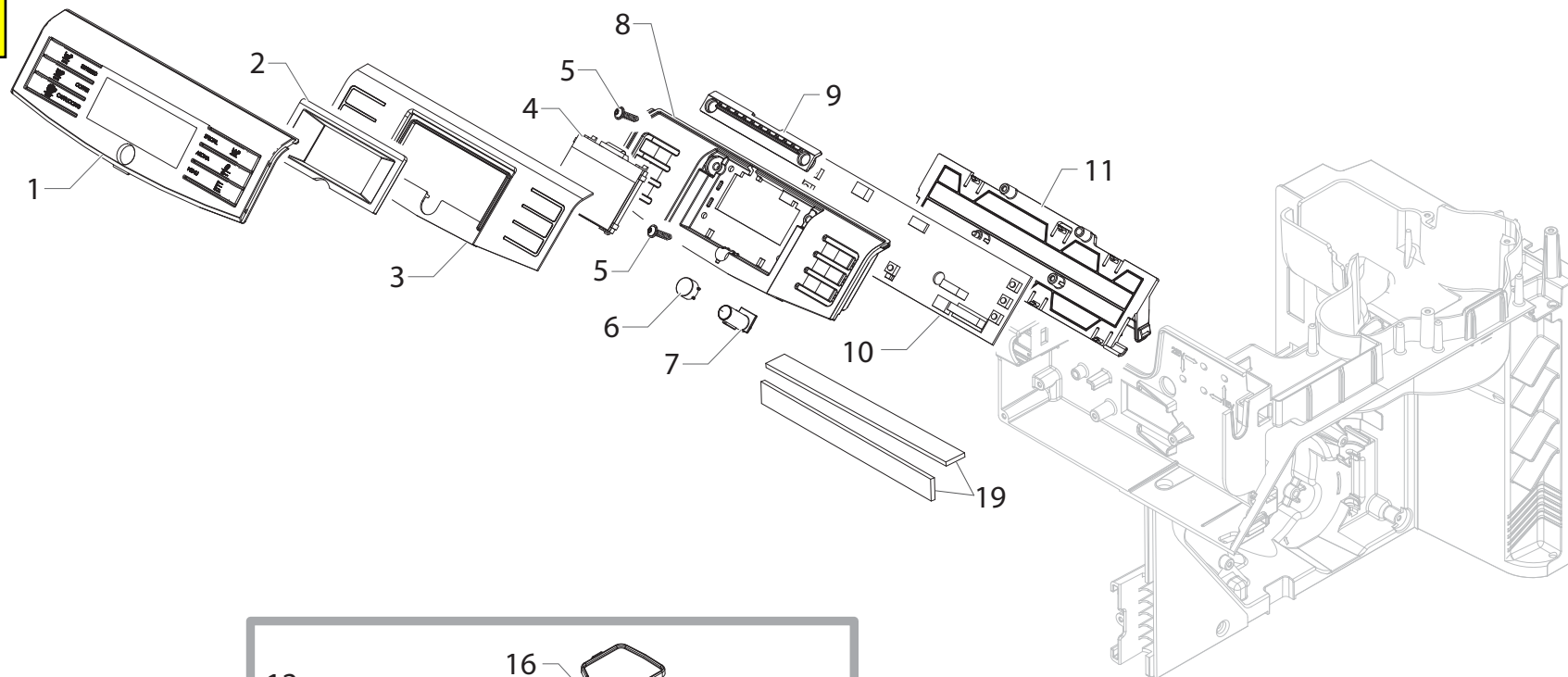


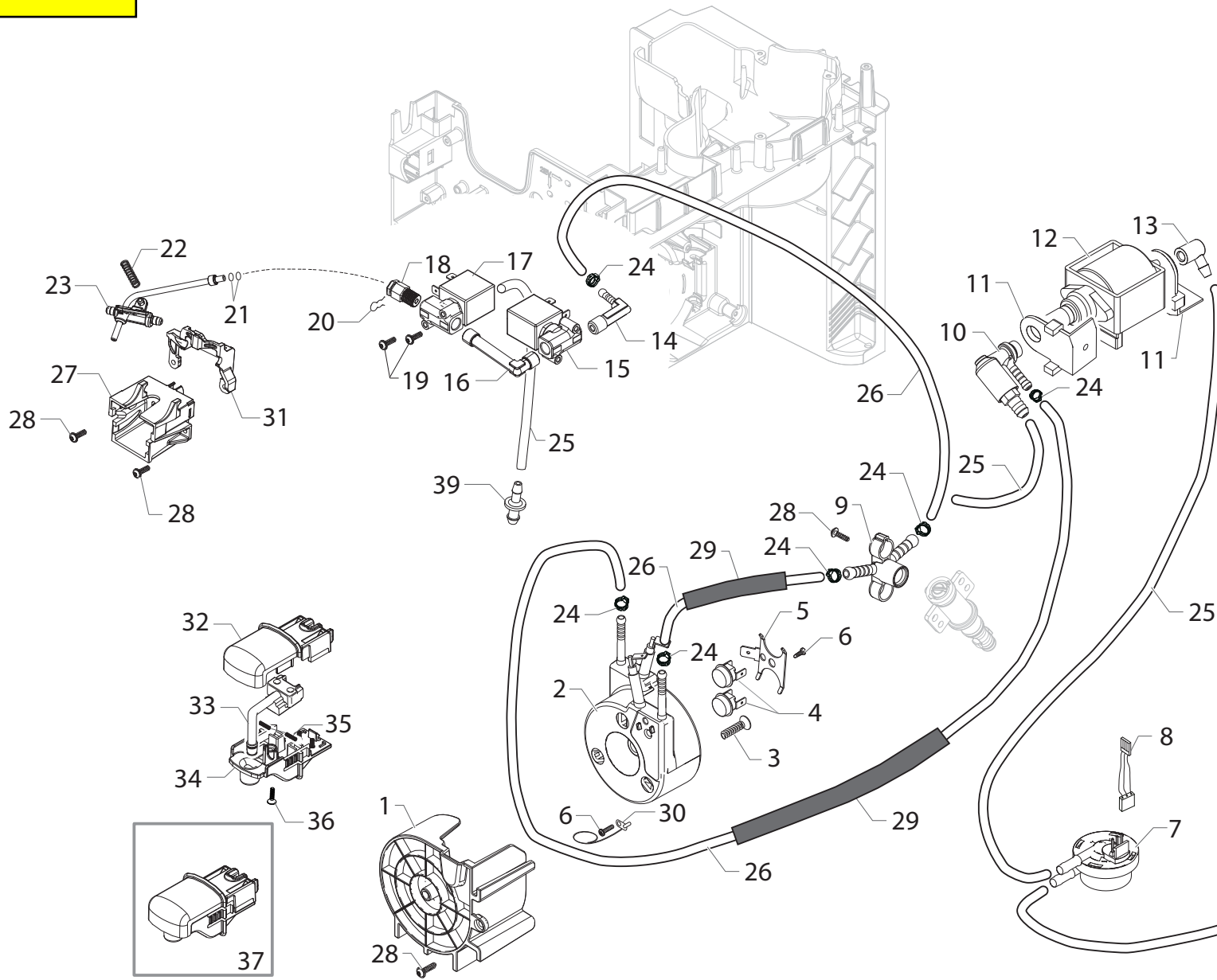
VUE A



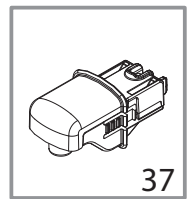
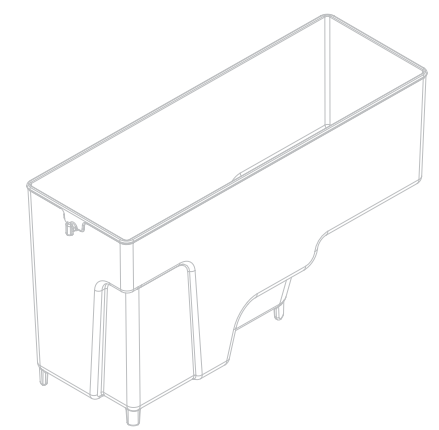
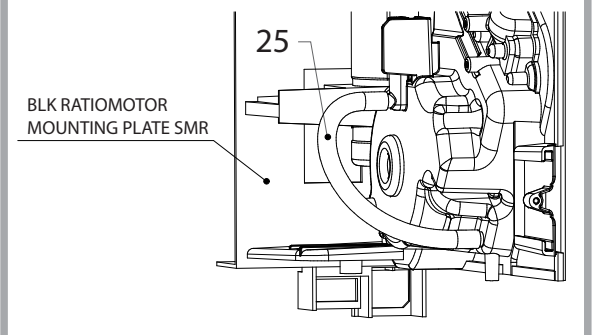
VUE B



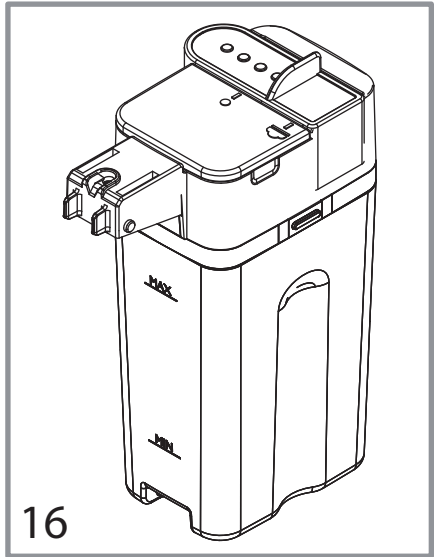
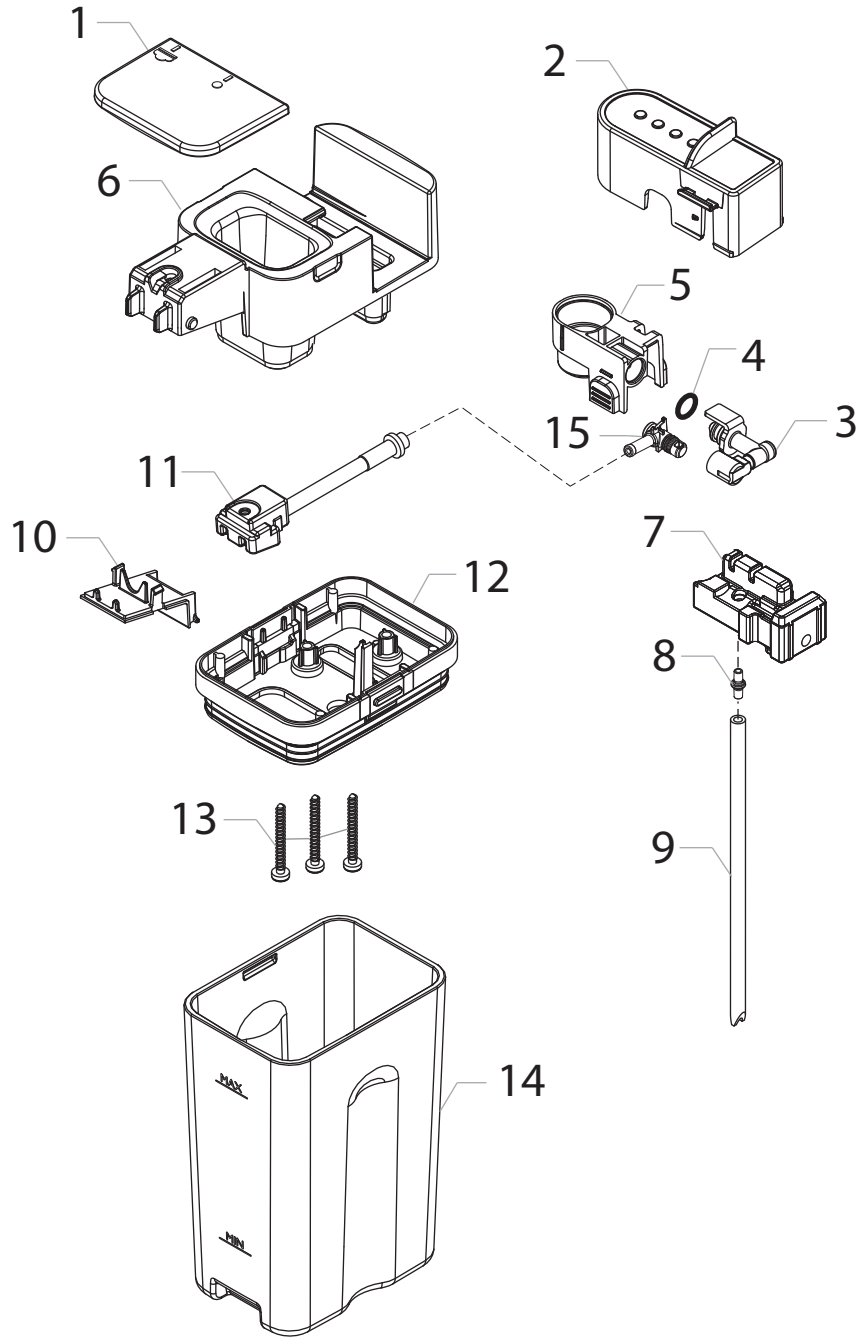
VUE C



3D VIEW TO INDICATE THE INSTALLATION OF THE EXHAUST PIPE FOR COMPARTMENT TANK

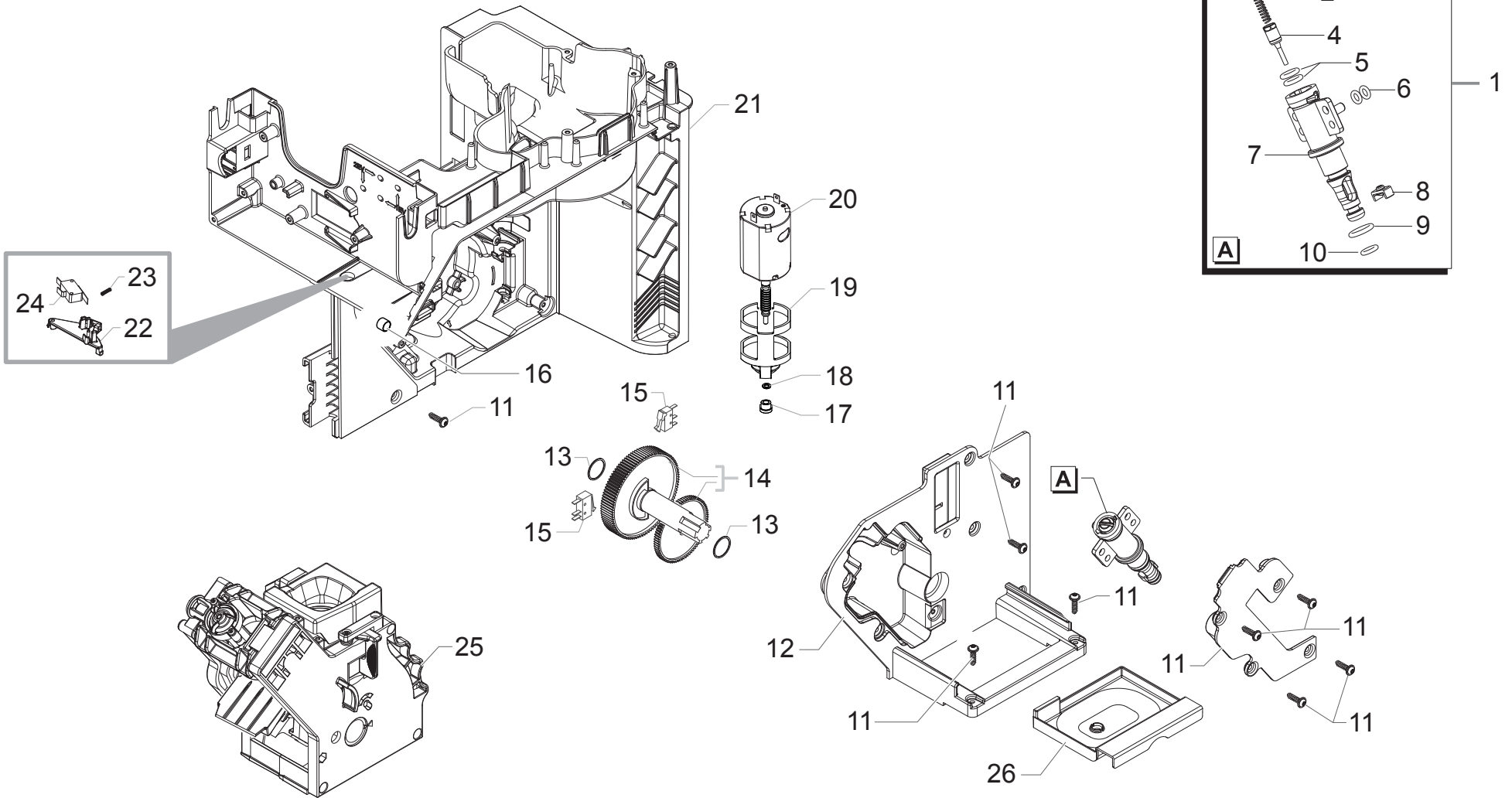


VUE D





VUE F



VUE G

